













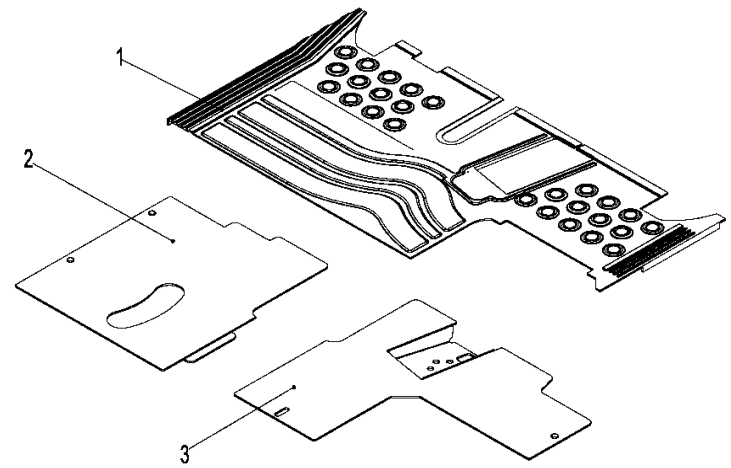






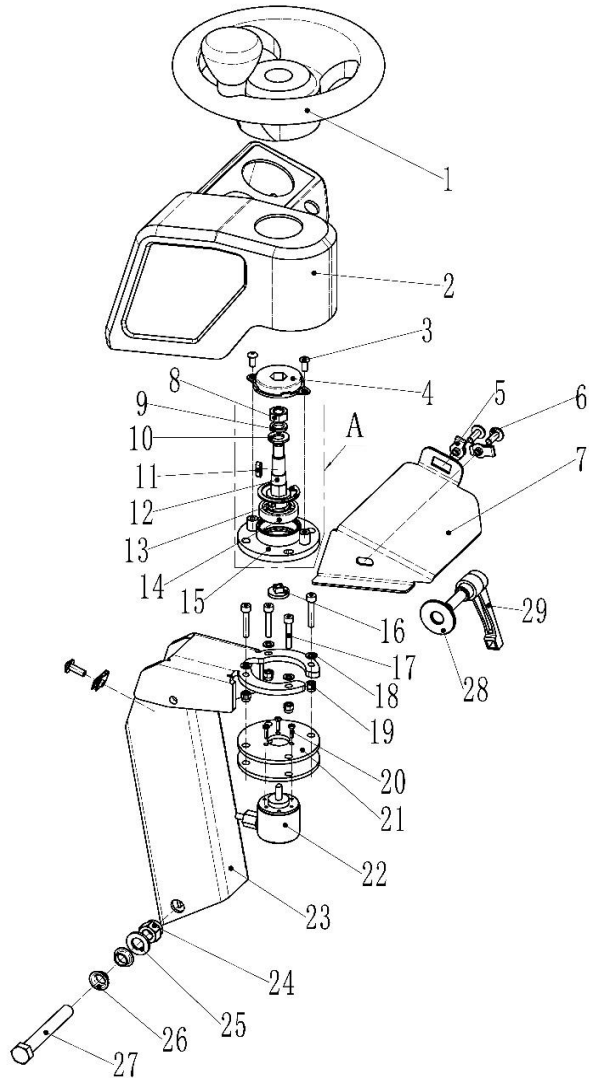
地板/FLOOR

序号/NO	编码/SN	名称/Name	Name	数量/QTY
1	271518021005	地板垫		1
2	272318011001	左底板焊合		1
3	272318011002	右底板焊合		1





### 转向装置安装/STEERING DEVICE

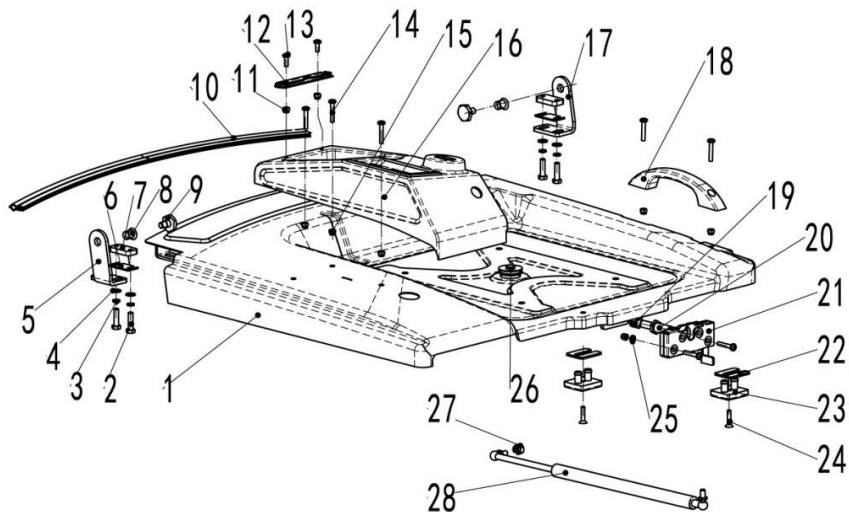


序号/NO	编码/SN	名称/Name	Name	数量/QTY
1	271531511020	方向盘Φ202		1
2	271531521010	仪表罩		1
3	910200300012	螺钉GB70. 2-M5x12-4. 8		2
4	271531511021	旋转阻尼器		1
5	940400400001	簧片螺母M6		3
6	941100100009	螺钉M6x12-8. 8		3
7	271531521011	仪表罩下封板		1
8	910300100007	螺母GB6170-M10-10		1
9	910400500007	弹簧垫圈GB93-10		1
10	910400100007	平垫圈GB97. 1-10-200HV		1
11	910600800002	平键GB1096-4x12-A		1
12	271531522001	过渡轴		1
13	910401400011	孔用弹性挡圈GB893. 1-37		1
14	910700200045	轴承GB276-61904-2RS		1
15	271531512010	轴承座焊合件		1
16	505931520002	连接块		1
17	910200200026	螺钉GB70. 1-M5x30-8. 8		4
18	910400100004	平垫圈GB97. 1-5-200HV		4
19	910300500002	螺母GB889. 1-M5-10		4
20	910200500012	螺钉GB818-M3x16-4. 8		3
21	271531522018	电位计固定板		2
22	271533510001	编码器G138S6-052S5R03-00256 (200mm)		1
23	271531512001	转向管柱焊合(电位计)		1
24	910300500006	螺母GB889. 1-M12-10		1
25	910400100008	平垫圈GB97. 1-12-200HV		1
26	940500200028	复合套(带肩)Φ12xΦ14x7-SF-1		2
27	910100100056	螺栓GB5782-M12x90-8. 8		1
28	910400200004	大垫圈GB96. 1-10-200HV		1
29	271531510006	可调手柄		1
A	271531512003	过渡轴总成(电位计)		1





### 座椅盖板安装/SEAT COVER INSTALLATION



序号/NO	编码/SN	名称/Name	Name	数量/QTY
1	272321011002	箱盖焊合(12E)		1
2	910100300024	螺栓GB5783-M8x30-8.8		4
3	910400100006	平垫圈GB97.1-8-200HV		4
4	910400500006	弹簧垫圈GB93-8		4
5	272321021008	铰链板(右)		1
6	271521021015	调整垫		2
7	271521021007	固定板(顶盖丝座)		2
8	940500200028	复合套(带肩)Φ12xΦ14x7-SF-1		2
9	271521021043	铰制螺栓M10x19		2
10	255022521093	密封条(180°)		0.8m
11	910300100004	螺母GB6170-M5-10		2
12	255021020067	文件夹		4
13	910200500040	螺钉GB818-M5x16-4.8		2
14	910200500056	螺钉GB818-M6x35-4.8		7
15	910300500003	螺母GB889.1-M6-10		7
16	271521021003	顶盖装饰罩		1
17	272321021009	铰链板(左)		1
18	255021020020	拉手		1
19	910300500006	螺母GB889.1-M12-10		1
20	255021020052	锁舌(顶盖)		1
21	255021010010	顶盖锁		1
22	255021020071	调整垫(缓冲垫)		2
23	255021020068	缓冲垫		2
24	910200400019	螺钉GB70.3-M6x25-8.8		2
25	910400100005	平垫圈GB97.1-6-200HV		2
26	255021020046	保护圈Φ35		1
27	910300100006	螺母GB6170-M8-10		2
28	940400100028	气弹簧500N(D620)-自锁		1

















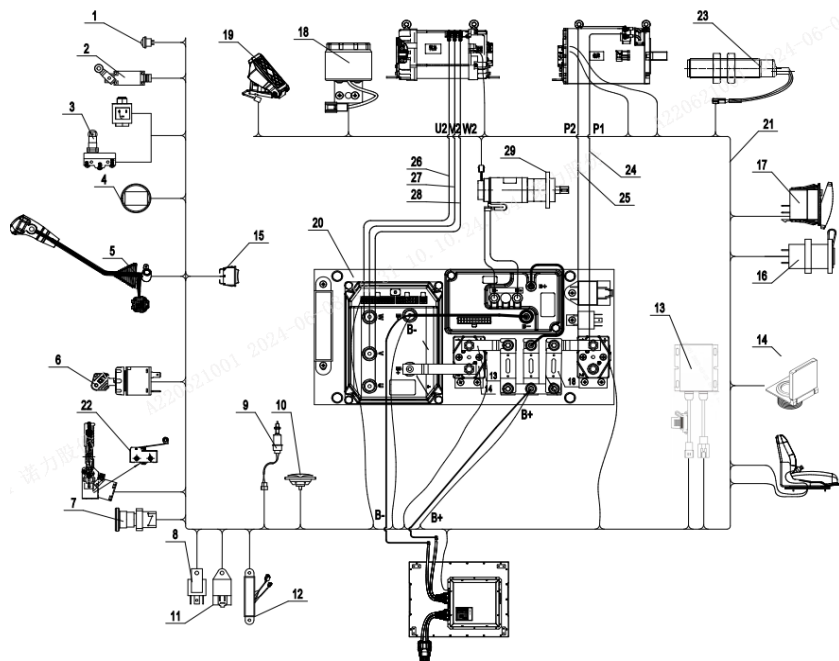








## 电气系统/ELECTRIC SYSTEM



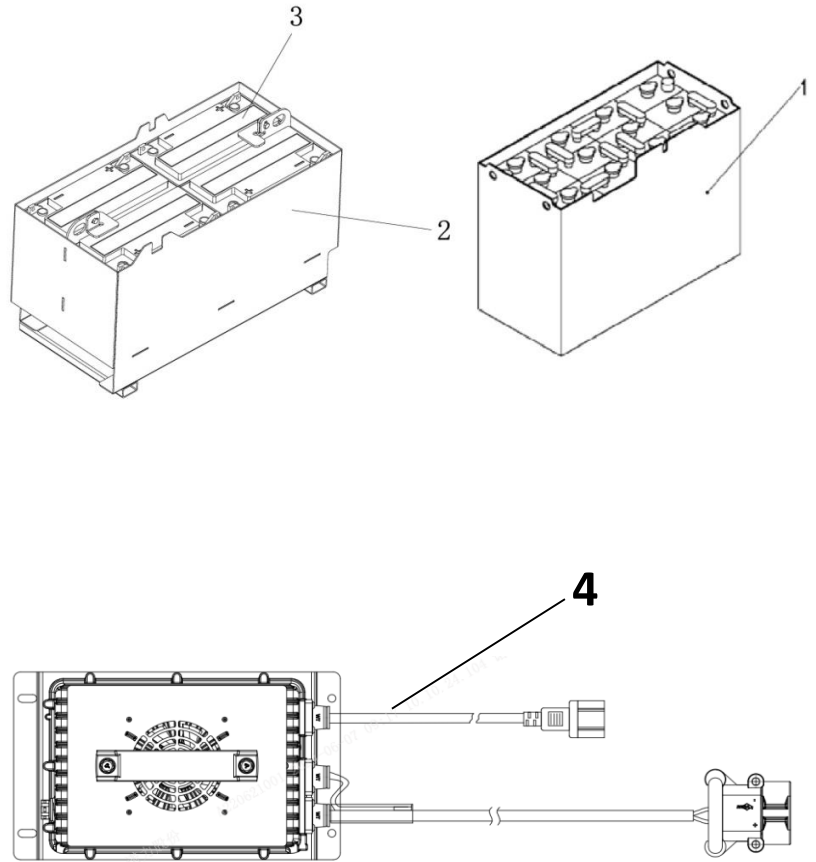
序号/NO	编码/SN	名称/Name	Name	数量/QTY
1	920200700066	Sensor	按钮开关QN16-A6	1
2	920200300018		微动开关LXW5-A11G1	1
3	920200300004	Micro Switch(RZ-15GQ22-B3)	微动开关RZ-15GQ22-B3	3
4	272333010020	Display(LVM1640-NL)	仪表LVM1640-NL	1
5	272333511001	Combination switch JK361CXNL/3-000	集成手柄总成	1
6	920200200002	KEYA	钥匙开关	1
7	920200100020	Emergency StopSwitch(GSLA5-22PN-40)	急停开关GSLA5-22PN-40-G01/R	1
8	920800100002	Relay DC24V-HFV4	继电器 DC24V-HFV4	2
9	920201000002	Pedal Switch(JK231)	脚踏开关JK231	1
10	920500100001	Horn(125-DC24V)	喇叭125-DC24V	1
11	922000100005	FlasherSG252-24V	闪光器SG252-24V	1
12	920100400008	Fuse boxBX2081X	保险丝盒BX2081X	1
13	921900100017	DC-DC80V/24V	转换器WDC300NI	1
14	920200200026	EKS-E-C-CAN	刷卡器EKS-E-C-CAN	1
	920200200038	EKS-E-C-OPS	刷卡器EKS-E-C-OPS	1
	920200200075	Fingerprint unlock FUC-B2	FUC-B2指纹解锁器	1
15	920200800050	翘板开关LR-RH-31	翘板开关LR-RH-31	
16	921900100026	USB-YC-A93	USB-YC-A93	1
17	920200800020	Warp Switch(YB-nuoli-003)	翘板开关YB-nuoli-003	1
18	920500100002	Buzzer(DJB-24B)	喇叭蜂鸣器DJB-24B	1
19	921700100017	Accelerator(DTJ01306)	加速器DTJ01306	1
20	272333010002	Controller Assembly(3R12E)	电控组件(3R12E)	1
21	272333010001	Control harness(3R12E)	车身线束(3R12E)	1
22	920200300018		微动开关LXW5-A11G1	
23	920200400008		接近开关Fi4-M12-0P6L-L70PNP	
24	▲	Cable-U1	线缆-U1	1
25	▲	Cable-V1	线缆-V1	1
26	▲	Cable-W1	线缆-W1	1
27	▲	Cable-P1	线缆-P1	1
28	▲	Cable-P2	线缆-P2	1
29	920900100090		电机(直流)Z90DPN48400-32S-BM	





蓄電池/BATTERY

序号/NO	編碼/SN	名稱/Name	Name	數量/QTY
1	272337010006	牽引電池48V-3VBS210		1
	272337010014	牽引電池48V-3VBS240		1
	272337010007	牽引電池48V-3VBS165		1
	272337010008	牽引電池48V-3VBS180		1
2	272337010003	牽引電池48V-6D-160 (4×12)		1
3	272337011001	電動車鉛酸蓄電池12V160Ah		4
4	921000200515	充電器WT48V25A (亞中)		1
	921000200516	充電器WT48V35A (亞中)		1
	921000200619	充電器WT48V25A (歐)		1
	921000200620	充電器WT48V35A (歐)		1

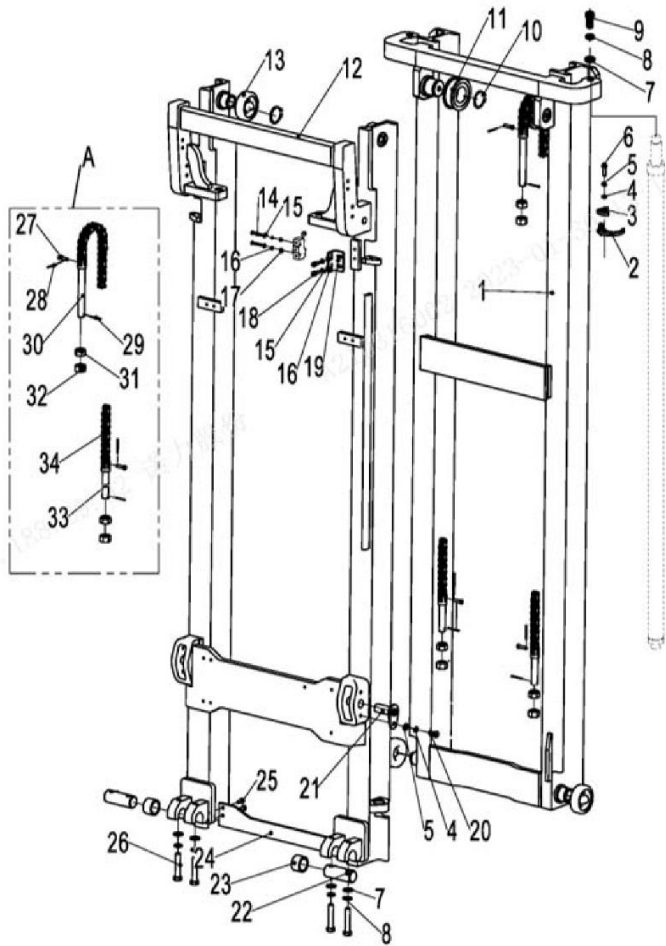








门架 (标准门架)/MAST(stand mast)



序号/NO	编码/SN	名称/Name	Name	数量/QTY
1	272344012001	内门架 (2500)	Inner mast (2500)	1
1	272344012002	内门架 (2700)	Inner mast (2700)	1
1	272344012003	内门架 (3000)	Inner mast (3000)	1
1	272344012004	内门架 (3300)	Inner mast (3300)	1
1	272344012005	内门架 (3500)	Inner mast (3500)	1
1	272344012006	内门架 (3700)	Inner mast (3700)	1
1	272344012007	内门架 (4000)	Inner mast (4000)	1
2	275244020003	外抱箍	The hoop	2
3	275244020004	内抱箍	The hoop	2
4	910400100006	平垫圈GB97.1-8-200HV	The flat washer GB97.1-8-200 HV	6
5	910400500006	弹簧垫圈GB93-8	Spring washer GB93-8	6
6	910100300024	螺栓GB5783-M8x30-8.8	Bolt GB5783 M8x30-8.8	4
7	910400100008	平垫圈GB97.1-12-200HV	The flat washer GB97.1-12-200 HV	6
8	910400500008	弹簧垫圈GB93-12	Spring washer GB93-12	6
A	272344014001	起升链条LH1034-95	Lifting chain LH-95	2
A	272344014002	起升链条LH1034-101	Lifting chain LH-101	2
A	271544014003	起升链条LH1034-111	Lifting chain LH-111	2
A	272344014006	起升链条LH1034-123	Lifting chain LH-123	2
A	272344014003	起升链条LH1034-127	Lifting chain LH-127	2
A	271544514008	起升链条LH1034-133	Lifting chain LH-133	2
A	272344014004	起升链条LH1034-145	Lifting chain LH-145	2
9	910100300051	螺栓GB5783-M12x35-8.8	Bolt GB5783-M12x35-8.8	2
10	910401300020	轴用弹性挡圈GB894.1-40	Axis with elastic catch GB894.1-40	6
11	940200500005	链轮轴承782208-Φ70xΦ40x21	Sprocket wheel bearing	2
12	272344011001	外门架 (2500)	Outer mast 2500	1
12	272344011002	外门架 (2700)	Outer mast 2700	1
12	272344011003	外门架 (3000)	Outer mast 3000	1
12	272344011004	外门架 (3300)	Outer mast 3300	1
12	272344011005	外门架 (3500)	Outer mast 3500	1
12	272344011006	外门架 (3700)	Outer mast 3700	1
12	272344011007	外门架 (4000)	Outer mast 4000	1
13	940200300003	复合滚轮Φ70.6-range=43.5-47.5	Composite roller Φ 70.6-	4
14	910200500028	螺钉GB818-M4x30-4.8	Chain bolt GB818-M4x30-4.8	2





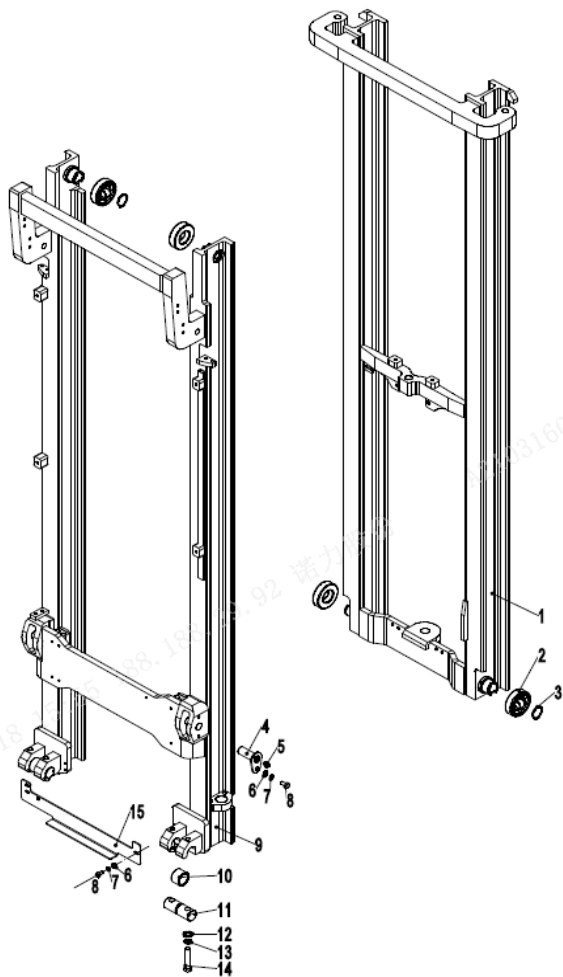






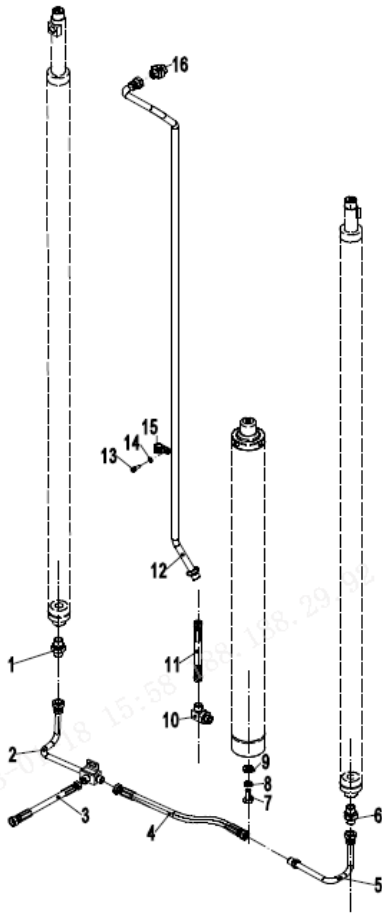


门架 (两级全自由门架)/MAST (two-stage full free mast)



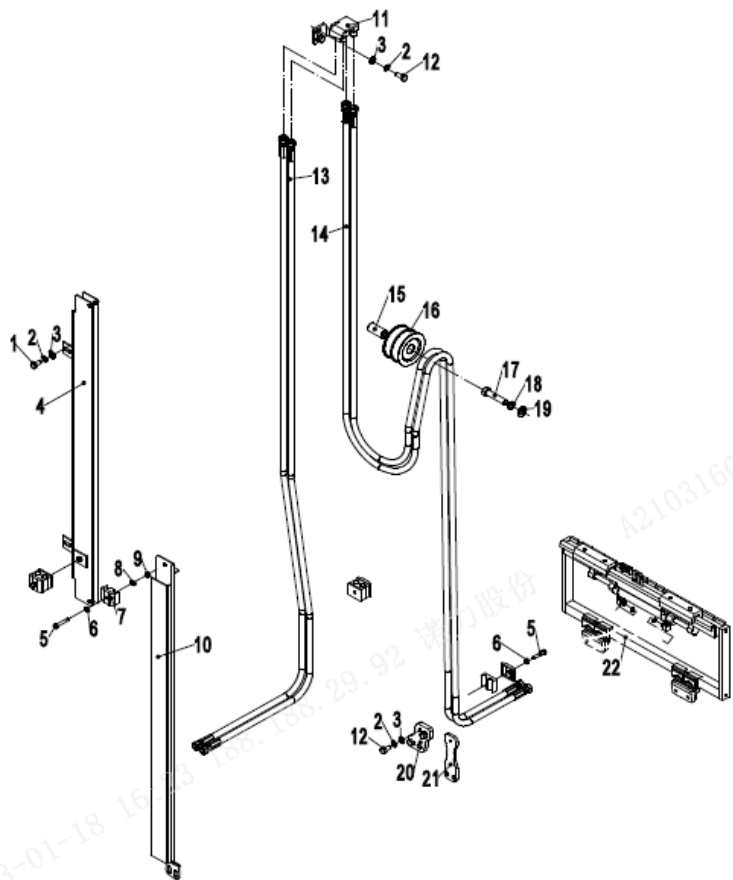
序号/NO	编码/SN	名称/Name	Name	数量/QTY
1	272343512011	内门架焊合(2000)	Inner mast (2000)	1
1	272343512001	内门架焊合(2500)	Inner mast (2500)	1
1	272343512002	内门架焊合(2700)	Inner mast (2700)	1
1	272343512003	内门架焊合(3000)	Inner mast (3000)	1
1	272343512004	内门架焊合(3500)	Inner mast (3300)	1
1	272343512005	内门架焊合(3500)	Inner mast (3500)	1
1	272343512005	内门架焊合(3500)	Inner mast (3700)	1
1	272343512007	内门架焊合(4000)	Inner mast (4000)	1
2	940200300001	复合滚轮Φ70-range=43.5-47.5	Composite roller Φ70 = 43.5-47.5 range Φ set figure	4
2	940200300003	复合滚轮Φ70.6-range=43.5-47.5	Composite roller Φ70.6 = 43.5-47.5 range Φ set figure	4
3	910401300018	轴用弹性挡圈GB894.1-35	Axis with elastic catch GB894.1-35	4
4	272344010002	带耳轴Φ20x55	With trunnion Φ20x55	2
5	▲	黄油嘴	Butter mouth	2
6	910400100006	平垫圈GB97.1-8-200HV	The flat washer GB97.1-8-200HV	4
7	910400500006	弹簧垫圈GB93-8	Spring washer GB93-8	4
8	910100300020	螺栓GB5783-M8x16-8.8	Bolt GB5783-M8x16-8.8	4
9	272343511011	外门架焊合(2000)	Outer mast 2000	1
9	272343511001	外门架焊合(2500)	Outer mast 2500	1
9	272343511002	外门架焊合(2700)	Outer mast 2700	1
9	272343511003	外门架焊合(3000)	Outer mast 3000	1
9	272343511004	外门架焊合(3300)	Outer mast 3300	1
9	272343511005	外门架焊合(3500)	Outer mast 3500	1
9	272343511006	外门架焊合(3700)	Outer mast 3700	1
9	272343511007	外门架焊合(4000)	Outer mast 4000	1
10	272344021080	耐磨套Φ30xΦ38x25	Wear-resistant sleeve Φ30xΦ	2
11	272344021008	门架固定销轴	Door frame fixed pin shaft	2
12	910400100008	平垫圈GB97.1-12-200HV	The flat washer GB97.1-12-200 HV	4
13	910400500008	弹簧垫圈GB93-12	Spring washer GB93-12	4
14	910100300056	螺栓GB5783-M12x60-8.8	Bolt GB5783-M12x60-8.8	4
15	272344021006	防护板	Shields	1

起升管路 (两级全自由门架) / LIFTING PIPEING (two-stage full free mast)



序号/NO	编码/SN	名称/Name	Name	数量/QTY
1	271544029005	接头(直)10-M20x1.5-M18x1.5-60°	Joint (straight)10-M20x1.5-	1
2	272344019002	液压钢管总成(左)	Hydraulic steel tube assembly (left)	1
3	272344029003	液压管总成(90°)12-L610-2SC-60°	Hydraulic pipe assembly	1
4	272344029001	液压管总成(直)10-L300-1SC-60°	Hydraulic pipe assembly	1
5	272344019004	液压钢管总成(右)	Hydraulic steel tube assembly	1
6	271598520002	防爆阀	Explosion-proof valve	1
7	910100400009	螺栓GB5786-M12x1.25x25-8.8	Bolt GB5786-M12x1.25x25-8.8	1
8	910400500008	弹簧垫圈GB93-12	Spring washer GB93-12	1
9	910400100008	平垫圈GB97.1-12-200HV	The flat washer GB97.1-12-200 HV	1
10	281244529001	接头(锁定弯)12-M18x1.5-M22x1.5-60	Joint (lock) 12-M18x1.5-M22x1.5-	1
11	271543529111	液压管总成(直)12-L300-1SC-60°	Hydraulic pipe assembly	1
11	271543529111	液压管总成(直)12-L300-1SC-60°	Hydraulic pipe assembly	1
11	271543529112	液压管总成(直)12-L400-1SC-60°	Hydraulic pipe assembly	1
11	271543529113	液压管总成(直)12-L360-1SC-60°	Hydraulic pipe assembly	1
11	271543529114	液压管总成(直)12-L500-1SC-60°	Hydraulic pipe assembly	1
11	271543529113	液压管总成(直)12-L360-1SC-60°	Hydraulic pipe assembly	1
11	271543529114	液压管总成(直)12-L500-1SC-60°	Hydraulic pipe assembly	1
11	271543529113	液压管总成(直)12-L360-1SC-60°	Hydraulic pipe assembly	1
12	271543529107	起升钢管焊合L=820	Lifting steel pipe welding L=820	1
12	271543529101	起升钢管焊合L=960	Lifting steel pipe welding L=960	1
12	271543529101	起升钢管焊合L=960	Lifting steel pipe welding L=960	1
12	271543529102	起升钢管焊合L=1200	Lifting steel pipe welding L=1200	1
12	271543529102	起升钢管焊合L=1200	Lifting steel pipe welding L=1200	1
12	271543529103	起升钢管焊合L=1450	Lifting steel tube welding L=1450	1
12	271543529103	起升钢管焊合L=1450	Lifting steel tube welding L=1450	1
12	271543529104	起升钢管焊合L=1650	Lifting steel pipe welding L=1650	1
13	910200200035	螺钉GB70.1-M6x16-8.8	Screw GB70.1 M6x16-8.8	1
14	910400500005	弹簧垫圈GB93-6	Spring washer GB93-6	1
15	951000100003	管夹YGE包胶15	Pipe clamp YGE wrap 15	1
16	254144520040	接头(直)10-M22x1.5-M18x1.5-60°	Joint (straight)10-M22x1.5-	1

侧移器及管路安装 (两级全自由门架)/SIDE SHIFTER AND PIPING(two-stage full free mast)

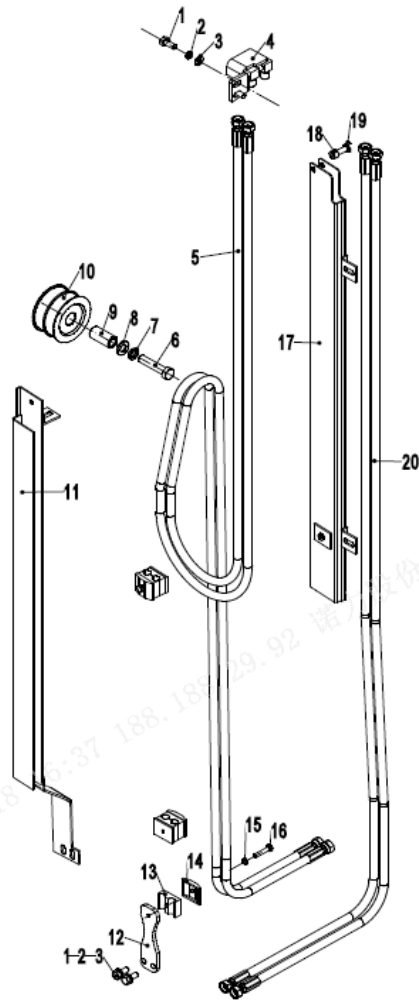


序号/NO	编码/SN	名称/Name	Name	数量/QTY
1	910100300022	螺栓GB5783-M8x20-8.8	Bolt GB5783-M8x20-8.8	2
2	910400500006	弹簧垫圈GB93-8	Spring washers GB93-8	8
3	910400100006	平垫圈GB97.1-8-200HV	Plain washers GB97.1-8-200HV	8
4	271529010101	外导槽焊合(四联)L=570	Outer guide groove welding L=570	2
4	271529010102	外导槽焊合(四联)L=670	Outer guide groove welding L=670	2
4	271529010103	外导槽焊合(四联)L=820	Outer guide groove welding L=820	2
4	271529010104	外导槽焊合(四联)L=970	Outer guide groove welding L=970	2
4	271529010105	外导槽焊合(四联)L=1070	Outer guide groove welding L=1070	2
4	271529010106	外导槽焊合(四联)L=1170	Outer guide groove welding L=1170	2
4	271529010107	外导槽焊合(四联)L=1370	Outer guide groove welding L=1370	2
5	910100300014	螺栓GB5783-M6x35-8.8	Bolt GB5783-M6x35-8.8	2
6	910400500005	弹簧垫圈GB93-6	Spring washers GB93-6	2
7	271544021302	管夹体	Pipe clamp	4
8	910400100005	平垫圈GB97.1-6-200HV	Plain washers GB97.1-6-200HV	2
9	910300100005	螺母GB6170-M6-10	Nut GB6170-M6-10	2
10	271529010111	内导槽焊合(四联)L=495	Inner guide groove welding L=495	1
10	271529010112	内导槽焊合(四联)L=595	Inner guide groove welding L=595	1
10	271529010113	内导槽焊合(四联)L=745	Inner guide groove welding L=745	1
10	271529010114	内导槽焊合(四联)L=895	Inner guide groove welding L=895	1
10	271529010115	内导槽焊合(四联)L=995	Inner guide groove welding L=995	1
10	271529010116	内导槽焊合(四联)L=1095	Inner guide groove welding L=1095	1
10	271529010117	内导槽焊合(四联)L=1245	Inner guide groove welding L=1245	1
11	271529011001	四通阀总成(四联)	Four-way valve assembly	1
12	910100300022	螺栓GB5783-M8x20-8.8	Bolt GB5783-M8x20-8.8	2
13	271528520155	液压管总成(直)8-L2400-1SC-60°	Hydraulic pipe assembly	2
13	271528520156	液压管总成(直)8-L2500-1SC-60°	Hydraulic pipe assembly	2
13	271528520157	液压管总成(直)8-L2620-1SC-60°	Hydraulic pipe assembly	2
13	271528520158	液压管总成(直)8-L2800-1SC-60°	Hydraulic pipe assembly	2
13	271528520159	液压管总成(直)8-L2900-1SC-60°	Hydraulic pipe assembly	2
13	271529020166	液压管总成(直)8-L3000-1SC-60°	Hydraulic pipe assembly	2
13	271528520160	液压管总成(直)8-L3150-1SC-60°	Hydraulic pipe assembly	2
14	271528520161	液压管总成(直)8-L2010-1SC-60° -0	Hydraulic pipe assembly	2





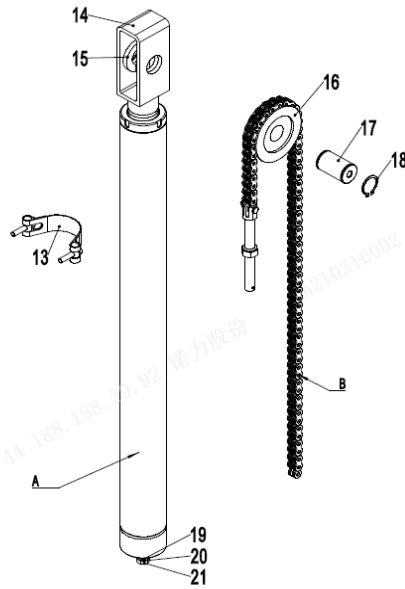
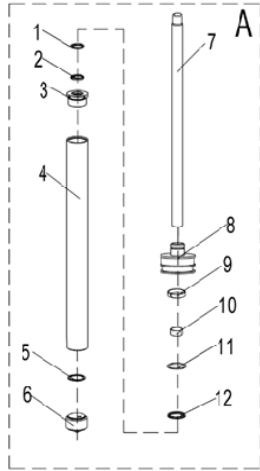
双附加管路 (两级全自由门架)/SIDE SHIFTER AND PIPING(two-stage full free mast)



序号/NO	编码/SN	名称/Name	Name	数量/QTY
1	910100300022	螺栓GB5783-M8x20-8.8	Bolt GB5783-M8x20-8.8	4
2	910400500006	弹簧垫圈GB93-8	Spring washers GB93-8	4
3	910400100006	平垫圈GB97.1-8-200HV	Plain washers GB97.1-8-200HV	4
4	271528511001	四通阀总成 (三联)	Four-way valve assembly	1
5	271528520161	液压管总成(直)8-L2010-1SC-60° -0	Hydraulic pipe assembly	2
5	271528520170	液压管总成(直)8-L2310-1SC-60° -0	Hydraulic pipe assembly	2
5	271528520162	液压管总成(直)8-L2610-1SC-60° -0	Hydraulic pipe assembly	2
5	271528520163	液压管总成(直)8-L2910-1SC-60° -0	Hydraulic pipe assembly	2
5	271528520164	液压管总成(直)8-L3210-1SC-60° -0	Hydraulic pipe assembly	2
5	271528520165	液压管总成(直)8-L3410-1SC-60° -0	Hydraulic pipe assembly	2
5	271528520166	液压管总成(直)8-L3710-1SC-60° -0	Hydraulic pipe assembly	2
6	910100300055	螺栓GB5783-M12x55-8.8	Bolt GB5783-M12x55-8.8	1
7	910400500008	弹簧垫圈GB93-12	Spring washers GB93-12	1
8	910400100008	平垫圈GB97.1-12-200HV	Plain washers GB97.1-12-200HV	1
9	271527521004	衬套Φ20xΦ13x41.5	Shaft sleeve Φ20 Φ13 x41.5	1
10	271527521003	滑轮Φ74x46(双槽)	Pulley φ74x46(double groove)	1
11	272329010111	内导槽焊合(三联)L=495	Inner guide groove welding L=495	1
11	272329010112	内导槽焊合(三联)L=595	Inner guide groove welding L=595	1
11	272329010113	内导槽焊合(三联)L=745	Inner guide groove welding L=745	1
11	272329010114	内导槽焊合(三联)L=895	Inner guide groove welding L=895	1
11	272329010115	内导槽焊合(三联)L=995	Inner guide groove welding L=995	1
11	272329010116	内导槽焊合(三联)L=1095	Inner guide groove welding L=1095	1
11	272329010117	内导槽焊合(三联)L=1245	Inner guide groove welding L=1245	1
12	271530520103	安装板	Mounting plate	1
13	271544021302	管夹体	Double pipe clamp	3
14	271544021303	盖板	Cover Plate	3
15	910400500005	弹簧垫圈GB93-6	Spring washers GB93-6	3
16	910100300013	螺栓GB5783-M6x30-8.8	Bolt GB5783-M6x30-8.8	3
17	271528510101	外导槽焊合L=570	Outer guide groove welding L=570	1
17	271528510102	外导槽焊合L=670	Outer guide groove welding L=670	1
17	271528510103	外导槽焊合L=820	Outer guide groove welding L=820	1
17	271528510104	外导槽焊合L=970	Outer guide groove welding L=970	1



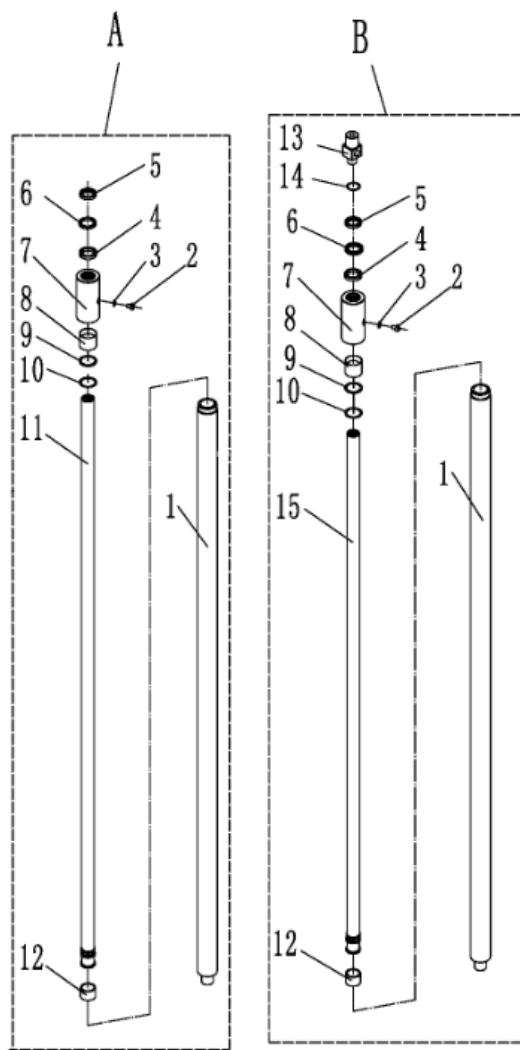
短升降油缸 (二级全自由) /Short lift cylinder (two-stage full free mast)



序号/NO	编码/SN	名称/Name	Name	数量/QTY
A	271543518001	油缸(M)(H=2500)	Oil cylinder (M) $\Phi 76 \times \Phi 63 \times 497$	1
	271543518002	油缸(M)(H=2700)	Oil cylinder (M) $\Phi 76 \times \Phi 63 \times 597$	1
	271543518003	油缸(M)(H=3000)	Oil cylinder (M) $\Phi 76 \times \Phi 63 \times 747$	1
	271543518004	油缸(M)(H=3300)	Oil cylinder (M) $\Phi 76 \times \Phi 63 \times 897$	1
	271543518005	油缸(M)(H=3500)	Oil cylinder (M) $\Phi 76 \times \Phi 63 \times 997$	1
	271543518006	油缸(M)(H=3700)	Oil cylinder (M) $\Phi 76 \times \Phi 63 \times 1097$	1
	271543518007	油缸(M)(H=4000)	Oil cylinder (M) $\Phi 76 \times \Phi 63 \times 1247$	1
B	271543515002	起升链条LH1044-75	Lifting chain LH1044-75	2
	272343515001	起升链条LH1044-73	Lifting chain LH1044-73	2
	271544515001	起升链条LH1044-77	Lifting chain LH1044-77	2
	271544515002	起升链条LH1044-81	Lifting chain LH1044-81	2
	272344515002	起升链条LH1044-85	Lifting chain LH1044-85	2
	271544515005	起升链条LH1044-89	Lifting chain LH1044-89	2
	271544515006	起升链条LH1044-93	Lifting chain LH1044-93	2
	272343515002	起升链条LH1044-97	Lifting chain LH1044-97	2
C	271598510002	密封件修理包(中间缸)	Seal repair kit (middle cylinder)	1
1	▲	防尘圈	Shaft with 40 x 50 x 6_11	1
2	▲	密封圈	DH40 x 48 x 5 x 6.5	1
3	▲	内置缸盖	Built-in cylinder head	1
4	▲	内置缸筒	Built-in cylinder	1
5	▲	挡片53X63X3	53 x63x3 block slice	1
6	▲	右缸底	The bottom right	1
7	▲	活塞杆	The piston rod	1
8	▲	活塞	The piston	1
9	▲	支承环58X63X13	Bearing ring 58 x63x13	1
10	▲	钢背轴承40X44X20	Steel back bearing 40X44X20	1
11	▲	o型圈	O-rings D68X3.1	1
12	▲	孔用密封圈	Hole with 53 * 63 * 6_11	1
13	940800600004	抱箍组件 $\Phi 80$	Holding hoop assembly $\Phi 80$	1
14	271544520003	链轮架	Sprocket Rack	1
15	271544520002	链轮垫圈	Sprocket washers	5
16	940200500014	链轮轴承780307- $\Phi 90 \times \Phi 35 \times 21$	Sprocket bearings 780307- $\Phi 90 \times \Phi 35 \times 21$	1



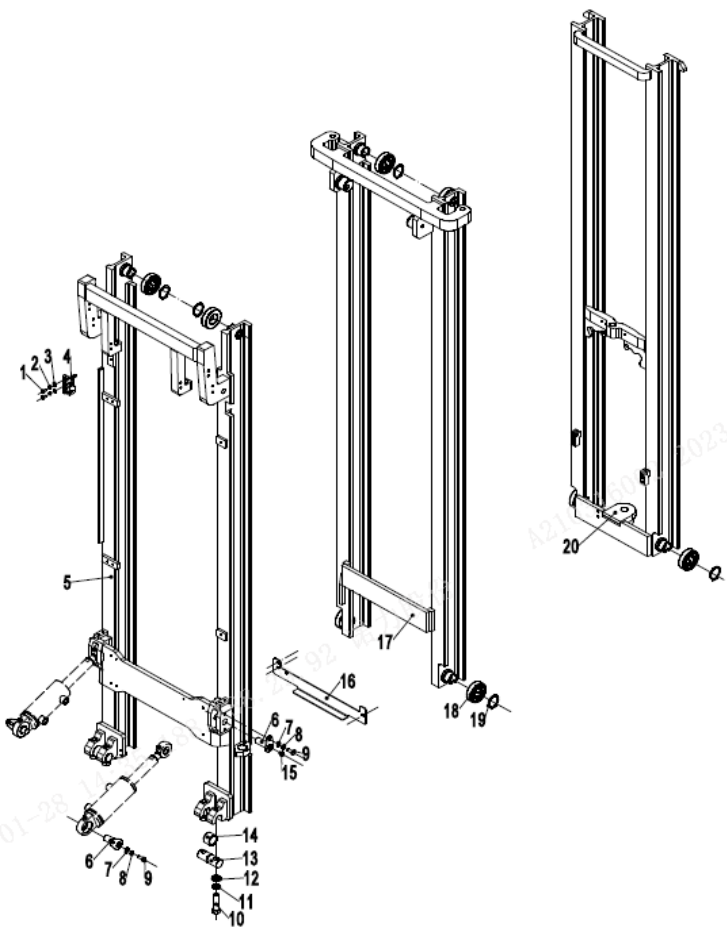
起升油缸 (二级全自由) /Lift cylinder (two-stage full free mast)



序号/NO	编码/SN	名称/Name	Name	数量/QTY
A	271543516001	Oil cylinder (R) $\Phi$ 40 x $\Phi$ 30 x1245	油缸(R)(H=2500)	1
	271543516002	Oil cylinder (R) $\Phi$ 40 x $\Phi$ 30 x1345	油缸(R)(H=2700)	1
	271543516003	Oil cylinder (R) $\Phi$ 40 x $\Phi$ 30 x1495	油缸(R)(H=3000)	1
	271543516004	Oil cylinder (R) $\Phi$ 40 x $\Phi$ 30 x1645	油缸(R)(H=3300)	1
	271543516005	Oil cylinder (R) $\Phi$ 40 x $\Phi$ 30 x1745	油缸(R)(H=3500)	1
	271543516006	Oil cylinder (R) $\Phi$ 40 x $\Phi$ 30 x1845	油缸(R)(H=3700)	1
	271543516007	Oil cylinder (R) $\Phi$ 40 x $\Phi$ 30 x1995	油缸(R)(H=4000)	1
B	271543517001	Oil cylinder (L) $\Phi$ 40 x $\Phi$ 30 x1245	油缸(L)(H=2500)	1
	271543517002	Oil cylinder (L) $\Phi$ 40 x $\Phi$ 30 x1345	油缸(L)(H=2700)	1
	271543517003	Oil cylinder (L) $\Phi$ 40 x $\Phi$ 30 x1495	油缸(L)(H=3000)	1
	271543517004	Oil cylinder (L) $\Phi$ 40 x $\Phi$ 30 x1645	油缸(L)(H=3300)	1
	271543517005	Oil cylinder (L) $\Phi$ 40 x $\Phi$ 30 x1745	油缸(L)(H=3500)	1
	271543517006	Oil cylinder (L) $\Phi$ 40 x $\Phi$ 30 x1845	油缸(L)(H=3700)	1
	271543517007	Oil cylinder (L) $\Phi$ 40 x $\Phi$ 30 x1995	油缸(L)(H=4000)	1
1	▲	Cylinder block	缸体	2
2	▲	Hexagon socket head screw	内六角圆柱头螺钉	2
3	▲	Combination gasket	组合密封垫圈	2
4	▲	Shaft seal 30 x40x6	轴封30X40X6	2
5	▲	DH30X38X5	DH30X38X5	2
6	▲	Retaining ring	挡圈	2
7	▲	Cylinder head	缸盖	2
8	▲	Steel back bearing 30X34X25	钢背轴承30X34X25	2
9	▲	O-rings D45X3. 1	O型圈	2
10	▲	Retaining ring	挡圈	2
11	▲	Right the piston rod	右活塞杆	1
12	▲	Supporting ring for bore 35X40X10	孔用支承环35X40X10	2
13	▲	The left cylinder joint	左缸接头	1
14	▲	O-ring rubber	O形橡胶密封圈	1
15	▲	Left the piston rod	左活塞杆	1
16	▲	Steel body	钢体	1
A	271598510003	Seal repair kit (lifting cylinder)	密封件修理包(起升缸)	2



### 门架 (三级全自由门架)/MAST(three-stage full free mast)

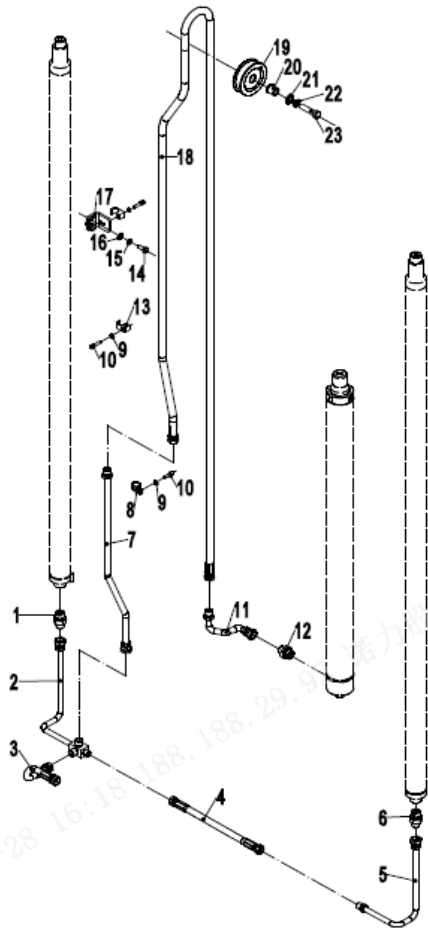


序号/NO	编码/SN	名称/Name	Name	数量/QTY
1	910100300009	螺栓GB5783-M6x12-8.8	Bolt GB5783-M6x12-8.8	2
2	910400500005	弹簧垫圈GB93-6	Spring washer GB93-6	2
3	910400100005	平垫圈GB97.1-6-200HV	The flat washer GB97.1-6-200HV	2
4	920200300003	微动开关RZ-15GW2S-B3	Microswitch RZ-15GW2S-B3	1
5	272344511008	外门架焊合 3600	Outer mast 3600	1
5	272344511001	外门架焊合 4000	Outer mast 4000	1
5	272344511002	外门架焊合 4350	Outer mast 4350	1
5	272344511003	外门架焊合 4500	Outer mast 4500	1
5	272344511004	外门架焊合 4800	Outer mast 4800	1
5	272344511005	外门架焊合 5000	Outer mast 5000	1
6	272344010002	带耳轴 Φ20x55	With trunnion Φ20x55	2
7	910400100006	平垫圈GB97.1-8-200HV	The flat washer GB97.1-8-200HV	16
8	910400500006	弹簧垫圈GB93-8	Spring washer GB93-8	16
9	910100300022	螺栓GB5783-M8x20-8.8	Bolt GB5783-M8x20-8.8	12
10	910100300056	螺栓GB5783-M12x60-8.8	Bolt GB5783-M12x60-8.8	4
11	910400500008	弹簧垫圈GB93-12	Spring washer GB93-12	4
12	910400100008	平垫圈GB97.1-12-200HV	The flat washer GB97.1-12-200HV	2
13	272344021008	门架固定销轴	Door frame fixed pin shaft	2
14	272344021080	耐磨套 Φ30x Φ38x25	Wear-resistant sleeve Φ 30x Φ	4
15	▲	黄油嘴	Butter mouth	2
16	272344021006	防护板	Shields	1
17	272344513008	中门架焊合 3600	Middle mast 3600	1
17	272344513001	中门架焊合 4000	Middle mast 4000	1
17	272344513002	中门架焊合 4350	Middle mast 4350	1
17	272344513003	中门架焊合 4500	Middle mast 4500	1
17	272344513004	中门架焊合 4800	Middle mast 4800	1
17	272344513005	中门架焊合 5000	Middle mast 5000	1
18	940200300001	复合滚轮 Φ70-range=43.5-47.5	Composite roller Φ 70 = 43.5-47.5	8
18	940200300003	复合滚轮 Φ70.6-range=43.5-47.5	Composite roller Φ 70.6 = 43.5-	8
19	910401300018	轴用弹性挡圈GB894.1-35	Axis with elastic catch GB894.1-35	8
20	272344512008	内门架焊合3600	Inner mast 3600	1
20	272344512001	内门架焊合4000	Inner mast 4000	1



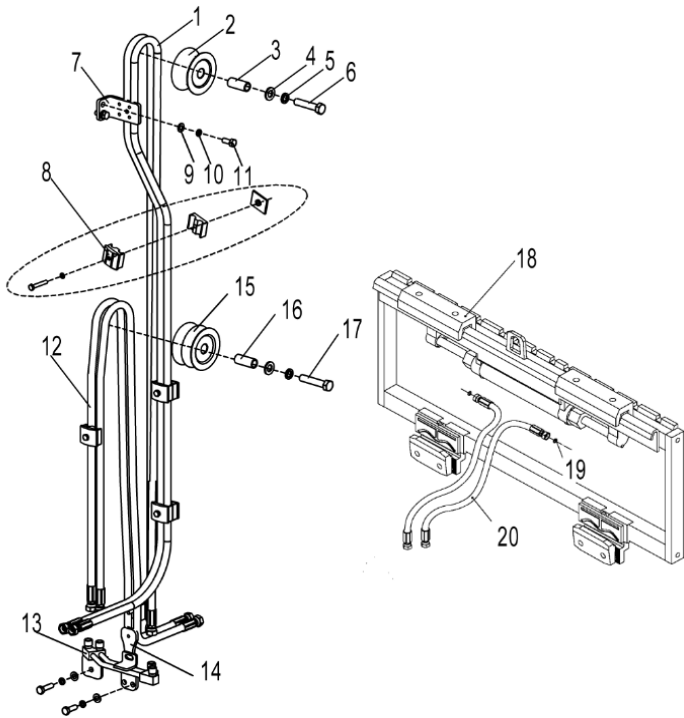


起升管路 (三级全自由门架) / LIFTING PIPEING(three-stage full free mast)



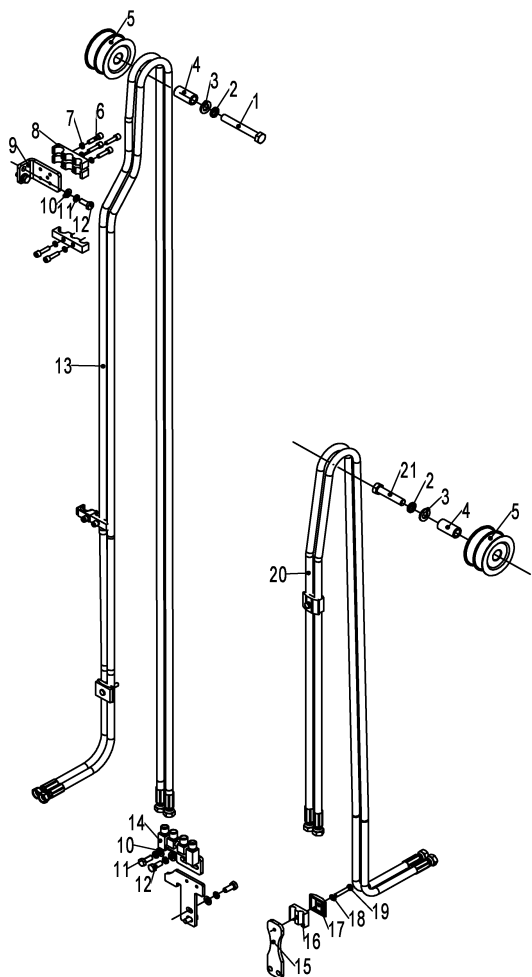
序号/NO	编码/SN	名称/Name	Name	数量/QTY
1	271544029005	接头(直)10-M20x1.5-M18x1.5-60°	Joint (straight)10-M20x1.5-	1
2	272344519001	液压钢管总成(左)	Hydraulic steel tube assembly (left)	1
3	272344029003	液压管总成(90°)12-L610-2SC-60°	Hydraulic pipe assembly	1
4	272344529002	液压管总成(直)10-L285-1SC-60°	Hydraulic tube assembly 10-L285-	1
5	272344519003	液压钢管总成(右)	Hydraulic steel tube assembly	1
6	271598520002	防爆阀	Explosion-proof valve	1
7	272344519002	钢管总成(主)	Hydraulic steel tube assembly	1
8	951000100003	管夹YGE包胶15	Hose Clamp	1
9	910400500005	弹簧垫圈GB93-6	Spring Washer GB93-6	4
10	910200200036	螺钉GB70.1-M6x20-8.8	Screw GB70.1-M6x20-8.8	4
11	272344519002	钢管总成(主)	Steel tube assembly (Main)	1
12	254144520040	接头(直)10-M22x1.5-M18x1.5-60°	Joint (straight)10-M22x1.5-	1
13	255044520132	油管夹	Tubing clamp	3
14	910100300022	螺栓GB5783-M8x20-8.8	Bolt GB5783-M8x20-8.8	2
15	910400500006	弹簧垫圈GB93-8	Spring Washer GB93-8	2
16	910100500006	螺栓GB31.1-M20x90-8.8	Bolt GB31.1-M20x90-8.8	2
17	271544529005	安装板(主)	Mounting plate (main)	1
18	272344519102	液压管总成(直)12-L2870-2SC-60°	Hydraulic tube assembly 12-L2870-	1
18	281244519103	液压管总成(直)12-L3080-2SC-60°	Hydraulic tube assembly 12-L3080-	1
18	254144520042	液压管总成(直)12-L3150-2SC-60°	Hydraulic tube assembly 12-L3150-	1
18	271544529107	液压管总成(直)12-L3360-2SC-60°	Hydraulic tube assembly 12-L3360-	1
18	272344519103	液压管总成(直)12-L3570-2SC-60°	Hydraulic tube assembly 12-L3570-	1
19	271544529004	滑轮Φ84x18(单槽)	Pulley Φ84x18(single)	1
20	255036020007	衬套Φ20XΦ13x19	Bush Φ20XΦ13x19	1
21	910400100008	平垫圈GB97.1-12-200HV	Washer GB97.1-12-200HV	1
22	910400500008	弹簧垫圈GB93-12	Spring washer GB93-12	1
23	910100300052	螺栓GB5783-M12x40-8.8	Bolt GB5783-M12x40-8.8	1

侧移器及管路安装 (三级全自由门架)/Side shifter and pipeline installation(three-stage full free mast)



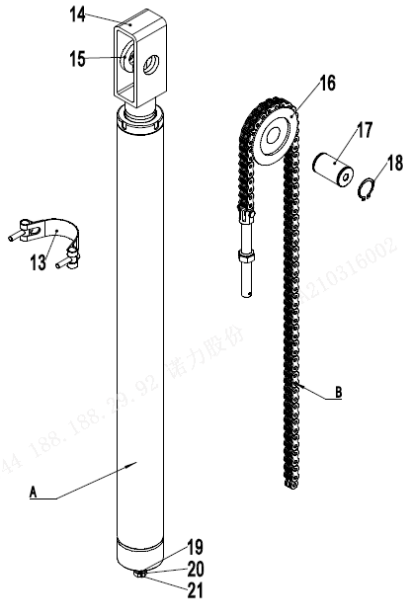
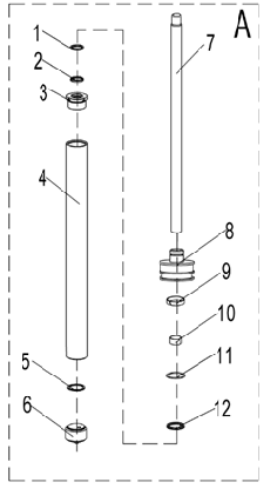
序号/NO	编码/SN	名称/Name	Name	数量/QTY
1	272327520002	液压管总成(直)8-L3800-1SC-60°	Hydraulic tube assembly (straight) 8 - L3800-	2
	271529020155	液压管总成(直)8-L3910-1SC-60°	Hydraulic tube assembly (straight) 8 - L3910-	2
	271527520004	液压管总成(直)8-L4000-1SC-60°	Hydraulic tube assembly (straight) 8 - L4000-	2
	271527520005	液压管总成(直)8-L4200-1SC-60°	Hydraulic tube assembly (straight) 8 - L4200-	2
	271527520006	液压管总成(直)8-L4400-1SC-60°	Hydraulic tube assembly (straight) 8 - L4400-	2
2	271530520104	滑轮Φ54x38(单槽)	Pulley Φ x38 54 (single slot)	1
3	271530520105	衬套Φ20xΦ13x33	Bushing Φ Φ x33 13 x 20	1
4	910400100008	平垫圈GB97.1-12-200HV	The flat washer GB97.1-12-200 HV	2
5	910400500008	弹簧垫圈GB93-12	Spring washer GB93-12	1
6	910100300055	螺栓GB5783-M12x55-8.8	Bolt GB5783 M12x55-8.8	1
7	271530520102	胶管固定板	Hose clamp	1
8	271544001101	双孔管夹	Double pipe clamp	5
9	910400100006	平垫圈GB97.1-8-200HV	The flat washer GB97.1-8-200 HV	7
10	910400500006	弹簧垫圈GB93-8	Spring washer GB93-8	7
11	910100300023	螺栓GB5783-M8x25-8.8	Bolt GB5783 M8x25-8.8	7
12	271530520151	液压管总成(直)8-L1990-1SC-60° -0	Hydraulic tube assembly (straight) 8-L1990-	2
	271530520152	液压管总成(直)8-L2050-1SC-60° -0	Hydraulic tube assembly (straight) 8-L2050-	2
	271530520153	液压管总成(直)8-L2140-1SC-60° -0	Hydraulic tube assembly (straight) 8-L2140-	2
	271530520154	液压管总成(直)8-L2240-1SC-60° -0	Hydraulic tube assembly (straight) 8-L2240-	2
	271530520155	液压管总成(直)8-L2340-1SC-60° -0	Hydraulic tube assembly (straight) 8-L2340-	2
13	271530511001	液压钢管总成(三联)	Hydraulic steel tube assembly	1
14	271530520103	安装板	Mounting plate	1
15	271527521003	滑轮Φ74x46(双槽)	Pulley Φ x46 74 (dual slot)	3
16	271530520106	衬套Φ20xΦ13x41	Bushing Φ Φ x41 13 x 20	1
17	910100300056	螺栓GB5783-M12x60-8.8	Bolt GB5783 M12x60-8.8	1
18	272042510001	侧移器总成(联动)	Side shifter assembly (linkage)	1
19	910800100042	O形圈-外13.6x2.4	O-rings 13.6x2.4	2

双附加管路 (三级全自由门架)/SIDE SHIFTER AND PIPING(three-stage full free mast)



序号/NO	编码/SN	名称/Name	Name	数量/QTY
1	910100100056	螺栓GB5782-M12x90-8.8	Bolt GB5782-M12x90-8.8	1
2	910400500008	弹簧垫圈GB93-12	Spring Washer GB93-12	2
3	910400100008	平垫圈GB97.1-12-200HV	Flat Washer GB97.1-12-200HV	2
4	254130520016	衬套Φ20xΦ13x43	Bushing Φ20xΦ13x43	1
5	271527521003	滑轮Φ74x46(双槽)	Pulley Φ74x46	2
6	910200200038	螺钉GB70.1-M6x25-8.8	Screw GB70.1-M6x25-8.8	4
7	910400500005	弹簧垫圈GB93-6	Spring Washer GB93-6	4
8	271531020103	压板(三孔)	Pressure Plate (three holes)	4
9	271530520102	胶管固定板	Hose fixing plate	2
10	910400100006	平垫圈GB97.1-8-200HV	Flat Washer GB97.1-8-200HV	8
11	910400500006	弹簧垫圈GB93-8	Spring Washer GB93-8	10
12	910100300022	螺栓GB5783-M8x20-8.8	Bolt GB5783-M8x20-8.8	4
13	271531020111	液压管总成(直)8-L4300-1SC-60°	Hydraulic tube assembly (straight)	2
13	271531020112	液压管总成(直)8-L4500-1SC-60°	Hydraulic tube assembly (straight)	2
13	272327520003	液压管总成(直)8-L4600-1SC-60°	Hydraulic tube assembly (straight)	2
13	271531020114	液压管总成(直)8-L4800-1SC-60°	Hydraulic tube assembly (straight)	2
13	271527520008	液压管总成(直)8-L5000-1SC-60°	Hydraulic tube assembly (straight)	2
14	271531011001	钢管总成(四联)	Steel tube assembly (quadruple)	1
15	271530520103	安装板	Mounting plate	2
16	271544021302	管夹体	Pipe clamp	4
17	271544021303	盖板	Cover Plate	4
18	910400500005	弹簧垫圈GB93-6	Spring Washer GB93-6	4
19	910100300014	螺栓GB5783-M6x35-8.8	Bolt GB5783-M6x35-8.8	4
20	271530520151	液压管总成(直)8-L2050-1SC-60° -0	Hydraulic tube assembly (straight)	2
20	271530520152	液压管总成(直)8-L2140-1SC-60° -0	Hydraulic tube assembly (straight)	2
20	271530520153	液压管总成(直)8-L2240-1SC-60° -0	Hydraulic tube assembly (straight)	2
20	271530520154	液压管总成(直)8-L2340-1SC-60° -0	Hydraulic tube assembly (straight)	2
20	271530520155	液压管总成(直)8-L2520-1SC-60° -0	Hydraulic tube assembly (straight)	2
21	910100300056	螺栓GB5783-M12x60-8.8	Bolt GB5783-M12x60-8.8	1

短升降油缸 (三级全自由) /Short lift cylinder (three-stage full free mast)



序号/NO	编码/SN	名称/Name	Name	数量/QTY
A	271544518001	油缸(M)(H=4000)	Oil cylinder (M) $\Phi$ 56 x $\Phi$ 45 x497	1
	271544518002	油缸(M)(H=4350)	Oil cylinder (M) $\Phi$ 56 x $\Phi$ 45 x597	1
	271544518003	油缸(M)(H=4500)	Oil cylinder (M) $\Phi$ 56 x $\Phi$ 45x 747	1
	271544518004	油缸(M)(H=4500)	Oil cylinder (M) $\Phi$ 56 x $\Phi$ 45 x897	1
	271544518005	油缸(M)(H=5000)	Oil cylinder (M) $\Phi$ 56 x $\Phi$ 45 x997	1
B	272344515001	起升链条LH1044-79	Lifting chain LH1044-79	1
	▲	起升链条LH1044-81	Lifting chain LH1044-81	1
	272344515002	起升链条LH1044-85	Lifting chain LH1044-85	1
	272344515006	起升链条LH1044-87	Lifting chain LH1044-87	1
	272344515004	起升链条LH1044-95	Lifting chain LH1044-95	1
C	271598510002	密封件修理包(中间缸)	Seal repair kit (middle cylinder)	1
1	▲	防尘圈	Shaft with 40 x 50 x 6 _11	1
2	▲	密封圈	DH40 x 48 x 5 x 6.5	1
3	▲	内置缸盖	Built-in cylinder head	1
4	▲	内置缸筒	Built-in cylinder	1
5	▲	挡片53X63X3	53 x63x3 block slice	1
6	▲	右缸底	The bottom right	1
7	▲	活塞杆	The piston rod	1
8	▲	活塞	The piston	1
9	▲	支承环58X63X13	Bearing ring 58 x63x13	1
10	▲	钢背轴承40X44X20	Steel back bearing 40X44X20	1
11	▲	O型圈	O-rings D68X3. 1	1
12	▲	孔用密封圈	Hole with 53 * 63 * 6 _11	1
13	940800600004	抱箍组件 $\Phi$ 80	Holding hoop assembly $\Phi$ 80	1
14	271544520003	链轮架	Sprocket Rack	1
15	271544520002	链轮垫圈	Sprocket washers	5
16	940200500014	链轮轴承780307- $\Phi$ 90X $\Phi$ 35X21	Sprocket bearings 780307- $\Phi$ 90X $\Phi$	1
17	271544520001	链轮销轴	Sprocket pin shaft	1
18	910401300018	轴用弹性挡圈GB894.1-35	Shaft with elastic retaining ring	2
19	910400100008	平垫圈GB97.1-12-200HV	Plain washers GB97.1-12-200HV	1
20	910400500008	弹簧垫圈GB93-12	Spring washers GB93-12	1
21	910100400009	螺栓GB5786-M12x1.25x25-8.8	Bolt GB5786-M12x1.25x25-8.8	1

